

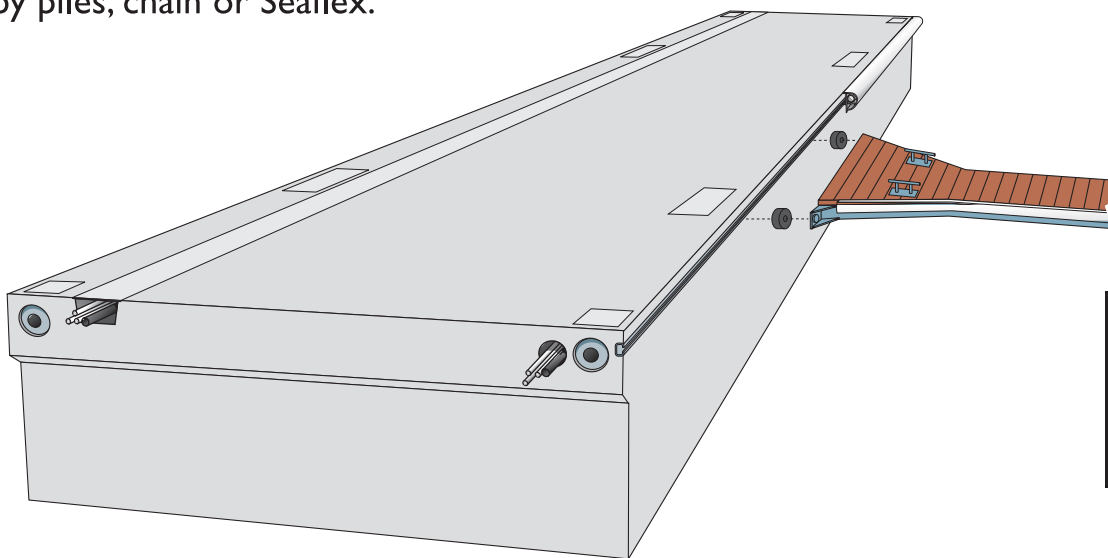
MARINETEK

PREMIER PONTOONS 2400, 3000

Premium

M2412
M2415
M3012
M3015
PE
PEH

The **Premier Pontoon** range represents the latest technology in concrete pontoon construction and is a high specification modular pontoon system for marinas. All units can be provided with integral top entry service ducts. As with all Marinetek concrete systems these are of exceptionally strong construction with a 50 year design life and are maintenance-free. The units are of continuous floatation providing a high loading capacity with a higher freeboard option for large boat marinas. Premier pontoons can be moored by piles, chain or Seaflex.



TECHNICAL DATA

Concrete strength: 45-65 N/mm² watertight, steel reinforced fibre concrete or High Performance Concrete (HPC).

Exposure class according to European EN 206-1 standard.

Core: Expanded polystyrene, density 15 kg/m³

Reinforcement: Partly or fully hot dip galvanised or stainless steel

Optional accessories: Concrete coatings, wooden deck, fixing rails, cable ducts, service channels (240x120 mm) and fenders (timber or plastic)

FLOATS	M2412PE	M2415PE	M3012PE	M3015PE	M2412PEH	M2415PEH	M3012PEH	M3015PEH
Length (m)	11,92	14,92	11,92	14,92	11,92	14,92	11,92	14,92
Concrete width (m)	2,4	2,4	3,0	3,0	2,4	2,4	3,0	3,0
Height (m)	1,0	1,0	1,0	1,0	1,2	1,2	1,2	1,2
Weight (t)	11,2-12,6	14,1-15,9	14,0-15,8	17,6-19,8	14,0-15,5	17,6-19,8	17,5-19,3	22,0-24,2
Net capacity (kN/m ²)	5,5-6,0	5,5-6,0	5,5-6,0	5,5-6,0	6,5-7,0	6,5-7,0	6,5-7,0	6,5-7,0
Freeboard (m)	0,55-0,60	0,55-0,60	0,55-0,60	0,55-0,60	0,65-0,70	0,65-0,70	0,65-0,70	0,65-0,70
Strength of joint (kN)	2x322	2x322	2x322	2x322	2x322	2x322	2x322	2x322

Exact unit weight and freeboard are subject to detailed specification of the unit and mooring methods.

Marinetek operates a policy of continuous development and reserves the right to change specifications without notice.

MARINETEK

Marinetek Finland Oy

Vattuniemenkatu 3, FIN-00210 Helsinki, Finland

Tel. +358 9 682 4100 Fax +358 9 682 41030

info@marinetek.net

www.marinetek.net