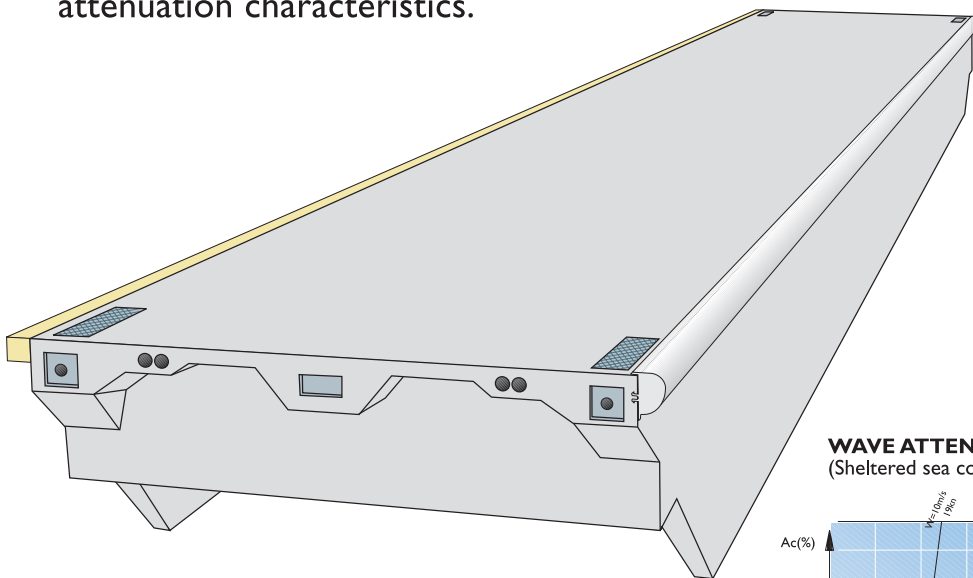


MARINETEK

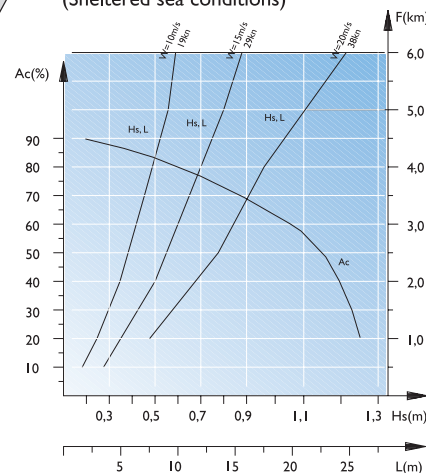
BREAKWATER 4300K

The **4300K series Breakwater** units are massively strong and durable. Professionally designed by experienced engineers, the breakwaters have a long maintenance free service life. Features of the design are high freeboard, the exceptionally strong rubber/steel connections and the accessibility of the anchor connections providing easy installation and adjustment. Fitted with twin keels the 4300K breakwater units have very effective wave attenuation characteristics.

M4316
M4320
BRK



WAVE ATTENUATION CAPACITY (Sheltered sea conditions)

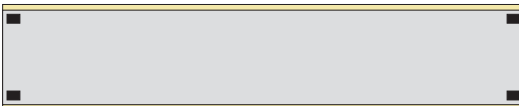


F= Effective fetch length. W= Wind velocity. L= Wave length.
Hs= Significant wave height. Ac= Wave attenuation capacity.

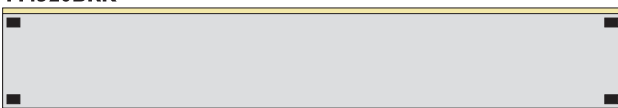
FLOATS	M4316BRK	M4320BRK
Length (m)	16,05	19,9
Width with fenders (m)	4,3	4,3
Concrete width (m)	4,0	4,0
Height (m)	1,8	1,8
Weight (t)	32,9	40,4
Total bearing capacity (t)	37,7	47,0
Net capacity (kN/m ²)	5,9	5,9
Freeboard (m)	0,6	0,6
Strength of joint (kN)	2x812	2x812

Marinetek operates a policy of continuous development and reserves the right to change specifications without notice.

M4316BRK



M4320BRK



TECHNICAL DATA

Concrete: 45 N/mm² watertight, steel reinforced fibre concrete

Core: Expanded polystyrene density 15 kg/m³

Welded mesh and steel parts: Hot dip galvanised steel

Fenders: Treated pine, hardwood or plastic

Optional accessories: Timber deck, fixing rails, cable ducts (single double)

MARINETEK

Marinetek Finland Oy

Vattuniemenkatu 3, FIN-00210 Helsinki, Finland

Tel. +358 9 682 4100 Fax +358 9 682 41030

info@marinetek.net

www.marinetek.net